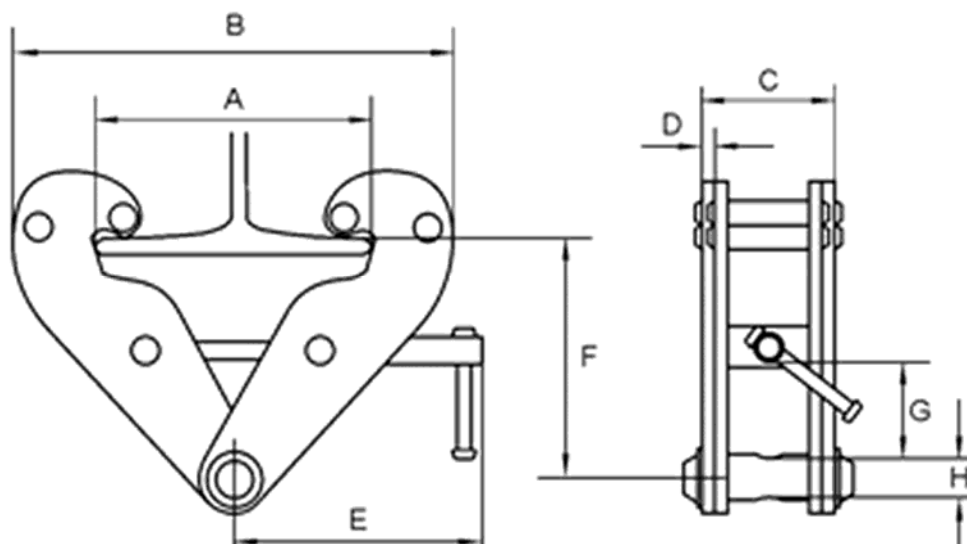


Beam Clamps Datasheet



Rated Load	kg	1000	2000	3000	5000	10000
Test Load	kN	14.71	29.42	44.13	61.92	125
Flange Width	mm	75-220	75-220	80-320	80-320	80-350
Dimensions (mm)	Max A	260	260	354	354	400
	Min B	180	180	235	235	250
	Max B	360	360	490	490	520
	C	64	64	103	103	120
	D	5	5	8	8	12
	E	215	215	260	260	280
	Max F	155	155	225	225	230
	Min F	102	102	140	140	160
	Min G	25	25	45	45	70
	H	22	22	24	24	44
Net weight	kg	4.5	5	10.5	11	16
Packing measurement	cm	43x10x17	43x10x17	39x14x34	39x14x34	55x17x20