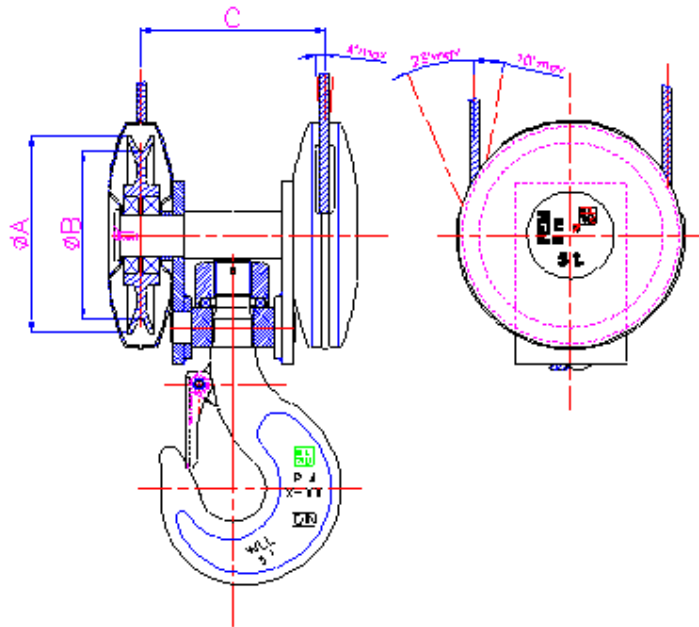


### Crane Block Datasheet



- Black and yellow painted
- Steel sheet carter
- For electric hoists
- Sheaves type 1SB

Code	Hook no.	Rope $\phi$ mm	WLL		A mm	B mm	C mm	Sheaves size
			t.					
			1Am	2m				
1HB01201	<b>1</b>	6-7	2	1,6	150	125	120	<b>01</b>
1HB02202	<b>1,6</b>	7-8	3,2	2,5	175	150	135	<b>02</b>
1HB03203	<b>2,5</b>	8-9	4	3,2	200	170	160	<b>03</b>
1HB04204	<b>2,5</b>	9-10	5	4	210	180	170	<b>04</b>
1HB05205	<b>4</b>	10-11	6,3	5	235	200	190	<b>05</b>
1HB06206	<b>4</b>	11-12	8	6,3	270	225	215	<b>06</b>
1HB07207	<b>5</b>	12-13	10	8	295	250	235	<b>07</b>
1HB08208	<b>6</b>	13-14	12,5	10	330	280	265	<b>08</b>
1HB09209	<b>8</b>	15-16	16	12,5	375	320	300	<b>09</b>