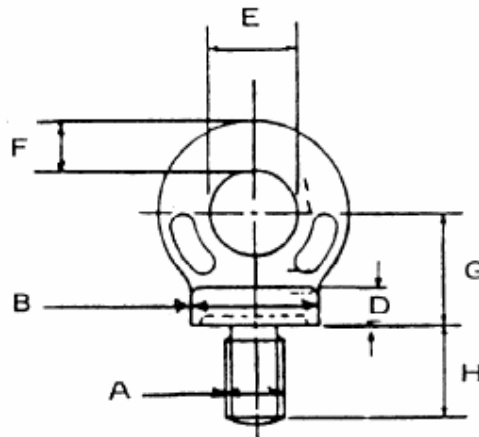


Collared Eyebolts Datasheet

**TO DIN 580 - METRIC COARSE THREAD
TESTED AND CERTIFIED**



BSW THREAD - TO BS 4278 - TABLE 4 -1984

VERTICAL	A	B	D	E	F	G	H	WEIGHT
SWL								EACH
TONNES	in	mm	mm	mm	mm	mm	mm	KGS
*0.10	1/4	22	7	15	9	20	18	0.06
*0.15	5/16	22	7	15	9	20	18	0.06
0.25	3/8	22	7	15	9	20	18	0.06
0.50	1/2	29	10	20	12	26	23	0.15
0.90	5/8	36	12	24	14	32	28	0.27
1.40	3/4	45	14	30	17	40	35	0.54
2.00	7/8	52	17	35	21	46	40	0.85
2.75	1	58	20	39	23	52	46	1.13
3.50	1.1/8	65	22	44	26	58	51	1.62
4.50	1.1/4	72	24	48	29	64	56	2.37
6.50	1.1/2	86	29	57	33	76	67	3.81
9.00	1.3/4	101	34	68	40	90	79	6.27
12.00	2	115	38	76	46	102	89	9.58

SIZES MARKED* ARE ADDITIONAL AND PROPORTIONAL TO THE SPECIFICATION.
ALSO AVAILABLE WITH UNC., UNF., BSF., THREADS - LARGER SIZES AVAILABLE - PRICES ON
REQUEST