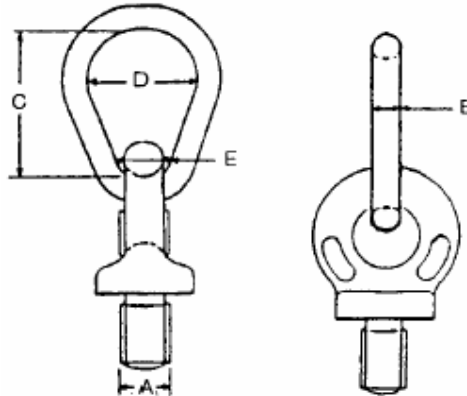


## Collared Eyebolts with Reeveable Egg Link Datasheet



### TESTED AND CERTIFIED

#### BSW THREAD

VERTICAL SWL TONNES	A in	B in	C in	D in	E in	WEIGHT EACH KGS
0.25	3/8	7/16	2.3/4	1.3/8	5/8	0.21
0.50	1/2	7/16	2.3/4	1.3/8	5/8	0.29
0.90	5/8	5/8	4	2	7/8	0.73
1.40	3/4	3/4	4.3/4	2.1/4	1	1.19
2.00	7/8	7/8	5.3/8	2.5/8	1.1/8	1.91

#### METRIC COARSE THREAD

VERTICAL SWL TONNES	A mm	B mm	C mm	D mm	E mm	WEIGHT EACH KGS
0.15	8	11	70	35	15	0.22
0.25	10	11	70	35	15	0.22
0.40	12	11	70	35	15	0.23
0.80	16	16	100	50	22	0.62
1.60	20	19	120	55	25	1.17
2.50	24	25	152	76	35	2.66

FOR SWL WHEN USED AT ANGLES REFER TO SAFETY INSTRUCTIONS ON PAGE 15.  
FOR EYEBOLT DIMENSIONS REFER TO BS 4278/1 & BS 4278/4.  
SUPPLIED WITH UNC., UNF., BSF., THREAD WHEN SPECIFIED.