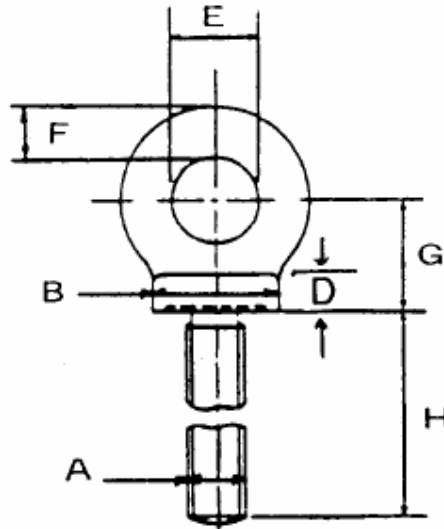


## Long Shank Collared BSW Eyebolts Datasheet



### BSW THREAD TESTED AND CERTIFIED

VERTICAL	A	B	D	E	F	G	H	WEIGHT
SWL								EACH
TONS	in	in	in	in	in	in	in	KGS
0.25	3/8	27/32	9/32	9/16	11/32	3/4	7	0.18
0.50	1/2	1.1/8	3/8	3/4	7/16	1	7	0.25
0.90	5/8	1.13/32	15/32	15/16	9/16	1.1/4	7	0.44
1.40	3/4	1.11/16	9/16	1.1/8	21/32	1.1/2	7	0.70
2.00	7/8	1.31/32	21/32	1.5/16	25/32	1.3/4	7	1.05
2.75	1	2.1/4	3/4	1.1/2	7/8	2	7	1.50
3.50	1.1/8	2.13/16	15/16	1.7/8	1.3/32	2.1/2	7	2.80
4.50	1.1/4	2.13/16	15/16	1.7/8	1.3/32	2.1/2	7	2.90

ALSO AVAILABLE WITH UNC., UNF., BSF., THREADS - PRICES ON REQUEST