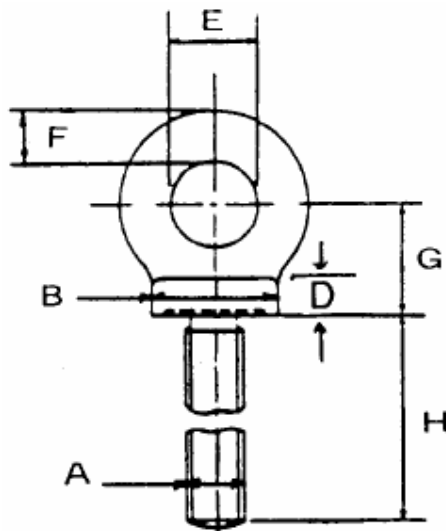


Long Shank Collared Metric Eyebolts Datasheet



METRIC COARSE THREAD TESTED AND CERTIFIED

VERTICAL	A	B	D	E	F	G	H	WEIGHT
SWL								EACH
TONNES	mm	mm	mm	mm	mm	mm	mm	KGS
0.25	10	22	7	15	9	20	178	0.18
0.40	12	28	10	19	11	25	178	0.25
0.50	14	36	12	24	14	32	178	0.40
0.80	16	36	12	24	14	32	178	0.44
1.00	18	43	14	28	17	38	178	0.70
1.60	20	43	14	28	17	38	178	0.70
1.60	22	43	14	38	17	38	178	1.05
2.50	24	57	19	38	22	51	178	1.50
4.00	30	71	24	48	28	64	178	2.80

ALSO AVAILABLE WITH UNC., UNF., BSF., THREADS - PRICES ON REQUEST