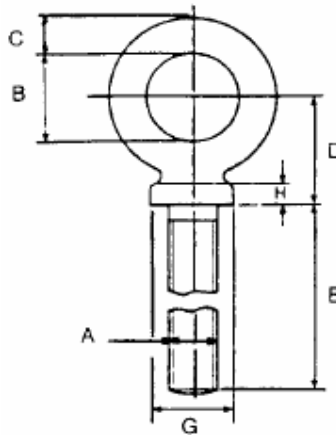


Long Shank Dynamo Eyebolts Datasheet



BSW THREAD

VERTICAL SWL	A	B	C	D	E	G	H	WEIGHT EACH
TONNES	in	in	in	in	in	in	in	KGS
0.15	5/16	7/8	3/8	1.1/16	4	3/4	1/4	0.11
0.25	3/8	7/8	3/8	1.1/16	4	3/4	1/4	0.12
0.50	1/2	1.1/16	7/16	1.3/8	4	1	5/16	0.17
0.80	5/8	1.1/4	1/2	1.5/8	4.1/2	1.1/8	3/8	0.35
1.20	3/4	1.9/16	11/16	2.1/8	5	1.7/16	7/16	0.60
2.20	1	2	13/16	2.7/16	5	1.5/8	1/2	1.10

METRIC COARSE THREAD

VERTICAL SWL	A	B	C	D	E	G	H	WEIGHT EACH
TONNES	mm	mm	mm	mm	mm	mm	mm	KGS
0.15	8	22	9.5	27	100	19	6	0.11
0.25	10	22	9.5	27	100	19	6	0.12
0.32	12	29	11	35	100	25	8	0.17
0.63	16	32	13	41	114	29	9.5	0.35
1.25	20	41	16	54	127	35	11	0.60
2.00	24	51	19	64	127	41	13	1.10