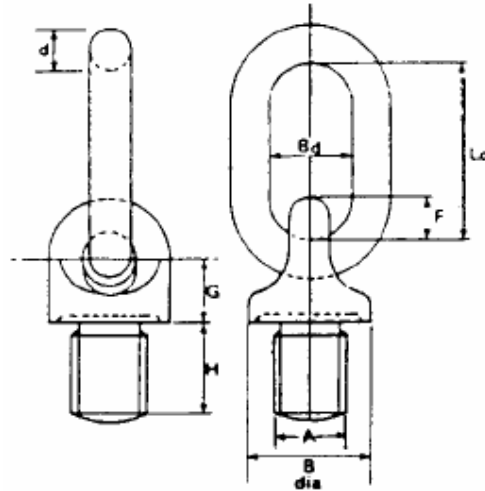


Eyebolts with Oval Link Datasheet



**TO BS 4278 TABLE 2 - 1984 - METRIC COARSE THREAD
TESTED AND CERTIFIED**

SWL	A	B	F	G	H	d	Bd	Ld	WEIGHT
									EACH
TONNES	mm	mm	mm	mm	mm	mm	mm	mm	KGS
*0.20	12	39	12	20	27	13	24	53	0.33
*0.40	16	39	12	20	27	13	24	53	0.35
1.00	20	39	12	20	27	13	24	53	0.36
1.60	24	47	14	23	32	15	29	63	0.66
2.50	30	60	18	30	41	19	37	80	1.31
4.00	36	75	23	38	52	24	46	102	2.69
6.30	48	94	29	47	65	30	58	126	5.31

SIZES MARKED * ARE ADDITIONAL AND PROPORTIONAL TO THE SPECIFICATION
EYEBOLTS WITH LINKS TO BS 4278/2 MAY BE LOADED IN ANY DIRECTION UP TO THE MARKED SWL PROVIDED THAT THE ANGLE OF THE LOAD TO THE AXIS OF THE THREAD DOES NOT EXCEED 15°. THEY MAY ALSO BE USED FOR NON AXIAL LOADING AT INCLINATIONS GREATER THAN 15° PROVIDED THE SWL IS REDUCED AS FOLLOWS:

MAXIMUM LOAD LIFTED BY A PAIR OF EYEBOLTS WHEN ANGLE BETWEEN SLING LEGS IS:				
SIZE	0	30°	30° 60°	60° 90°
20mm	2.0t		1.6t	1.25t
24mm	3.2t		2.5t	2.0t
30mm	5.0t		4.0t	3.2t
36mm	8.0t		6.3t	5.0t
48mm	12.6t		10.0t	8.0t