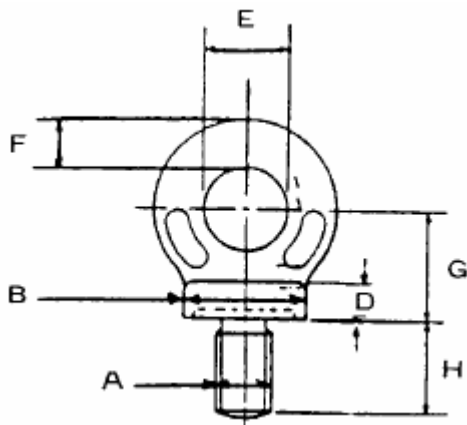


Quality Collared Metric Eyebolts Datasheet



METRIC COARSE THREAD - TO BS 4278 TABLE 1 -1984 TESTED AND CERTIFIED

VERTICAL	A	B	D	E	F	G	H	WEIGHT
SWL								EACH
TONNES	mm	mm	mm	mm	mm	mm	mm	KGS
*0.10	6	22	7	15	9	20	18	0.06
*0.15	8	22	7	15	9	20	18	0.06
*0.25	10	22	7	15	9	20	18	0.06
0.40	12	22	7	15	9	20	18	0.06
*0.50	14	29	10	20	12	26	23	0.15
0.80	16	29	10	20	12	26	23	0.15
*1.00	18	36	12	24	14	32	28	0.27
1.60	20	40	14	27	16	36	32	0.38
*1.60	22	45	14	30	17	40	35	0.54
2.50	24	52	17	35	21	46	40	0.85
*2.50	27	58	20	39	23	52	46	1.13
4.00	30	65	22	44	26	58	51	1.62
*4.00	33	72	24	48	29	64	56	2.37
6.30	36	81	27	54	32	72	63	3.12
*6.30	39	86	29	57	33	76	67	3.81
8.00	42	101	34	68	40	90	79	6.27
*8.00	45	101	34	68	40	90	79	6.45
*10.00	48	101	34	68	40	90	79	6.51
12.50	52	115	38	76	46	102	89	9.58
16.00	56	128	43	86	51	114	100	12.99
20.00	64	144	48	96	58	128	112	18.20

SIZES MARKED* ARE ADDITIONAL AND PROPORTIONAL TO THE SPECIFICATION.