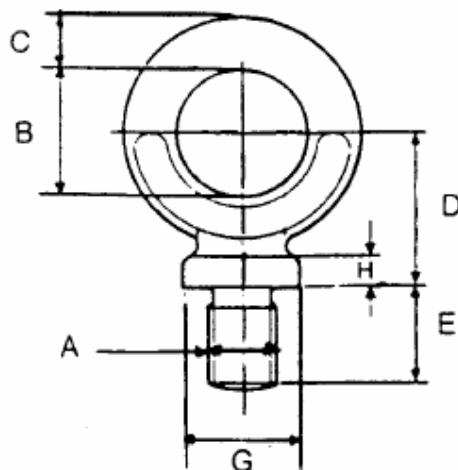


Quality Range Dynamo Metric Eyebolts Datasheet



METRIC COARSE THREAD - TO BS 4278 TABLE 3 -1984 TESTED AND CERTIFIED

VERTICAL	A	B	C	D	E	G	H	WEIGHT
SWL								EACH
TONNES	mm	mm	mm	mm	mm	mm	mm	KGS
*0.10	6	22	9	27	18	17	5	0.07
*0.15	8	22	9	27	18	17	5	0.07
*0.25	10	22	9	27	18	17	5	0.07
0.32	12	22	9	27	18	17	5	0.07
*0.50	14	32	13	41	28	29	9	0.24
0.63	16	29	11	34	23	23	6	0.14
*1.00	18	40	15	47	32	32	9	0.40
1.25	20	40	15	47	32	32	9	0.40
*1.60	22	44	17	53	35	35	14	0.61
2.00	24	51	19	60	40	40	12	0.80
3.20	30	64	24	76	51	51	14	1.72

SIZES MARKED* ARE ADDITIONAL AND PROPORTIONAL TO THE SPECIFICATION.