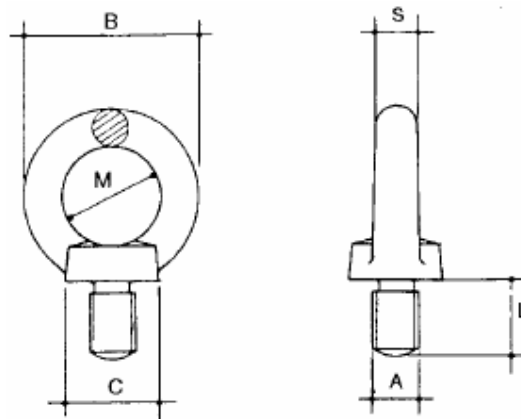


Eyebolts with Collar Datasheet

**TO DIN 580 - METRIC COARSE THREAD
TESTED AND CERTIFIED**



SWL	A	B	C	L	M	S	WEIGHT
							EACH
KGS	mm	mm	mm	mm	mm	mm	KGS
140	8	36	20	13	20	8	0.06
230	10	45	25	17	25	10	0.11
340	12	54	30	20.5	30	12	0.18
700	16	63	35	27	35	14	0.30
1200	20	72	40	30	40	16	0.46
1800	24	90	50	36	50	20	0.92
3600	30	108	65	45	60	24	1.61
5100	36	126	75	54	70	28	2.65
7000	42	144	85	63	80	32	4.03
8600	48	166	100	68	90	38	6.38
11500	56	184	110	78	100	42	8.80
16000	64	206	120	90	110	48	12.40

Direction of pull		Maximum Loadings by piece lifted in Kgs											
0°	1 bolt	140	230	340	700	1200	1800	3600	5100	7000	8600	11500	16000
45°	2 bolts	95	170	240	500	830	1270	2600	3700	5000	6100	8300	11000