

## Load Link Datasheet

### Technical data LL/LLA:

- Accuracy:  $\pm 0.15\%$  of max. capacity
- Material: toughened steel, zink coated and white chromated
- Protection class: IP 67
- Temperature range: -20C - +70C
- Overload: 50% without affecting the accuracy

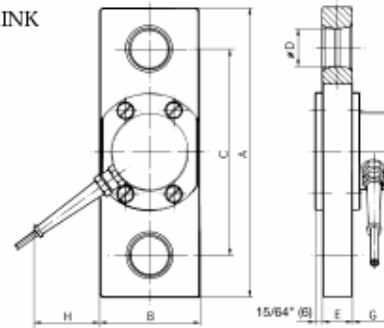
### Technical data LL:

- Recommended input voltage 10 VDC
- Max input voltage 15 VDC
- Sensitivity 0-approx. 1,7 mV/V
- Transducer impedance in 380 ohm
- Transducer impedance out 350 ohm
- Repeatability  $\pm 0,1\%$  of the max. capacity
- Cable: 4m 6 x 0,5 mm" shielded cable.

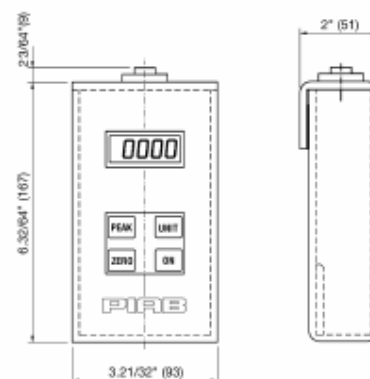
### Technical data LLA:

- Supply voltage 15-30 VDC
- Power consumption approx. 60 mA
- Output signal: 4-20 mA
- Cable 4 m 4 x 1.5 mm" unshielded cable

LL LINK



INSTRUMENT



ART.NO.	TYPE	CAPACITY LB. (TON)	RESOLUTION L/300 LB. (KG)	WEIGHT LB. (KG)	DIMENSIONS IN INCHES AND (MM)							
					A	B	C	D	E	F	G	H
302332	LLI-2	0-4400 (0 - 2)	2 (1)	5.7 (2.6)	8.1/8 (205)	2.46/64 (69.3)	5.58/64 (150)	1.1/64 (26)	25/32 (20)	15/64 (6)	1.7/32 (31)	2.43/64 (68)
302337	LLI-3	0-6600 (0 - 3)	2 (2)	5.9 (2.7)	8.1/8 (205)	2.54/64 (72.4)	5.58/64 (150)	1.1/64 (26)	25/32 (20)	15/64 (6)	1.7/32 (31)	2.43/64 (67)
302342	LLI-5	0-11000 (0 - 5)	5 (2)	11.1 (5.0)	10.10/64 (258)	3.34/64 (89.6)	7.15/64 (184)	1.22/64 (34)	1.1/16 (27)	15/64 (6)	1.11/32 (34)	2.9/32 (58)
302347	LLI-10	0-22000 (0 - 10)	10 (5)	15.6 (7.1)	11.52/64 (300)	3.49/64 (96)	8.1/32 (204)	1.52/64 (46)	1.3/8 (35)	15/64 (6)	1.11/32 (34)	2.13/64 (56)
302352	LLI-20	0-44000 (0 - 20)	20 (10)	42.7 (19.4)	16.35/64 (420)	5.51/64 (147)	11.27/64 (290)	2.23/64 (60)	1.27/32 (47)	15/64 (6)	1.27/64 (36)	2 (50)
302362	LLI-50	(0 - 50) 0-110000	50 (20)	66.0 (30.0)	21.17/64 (540)	7.23/64 (187)	13.50/64 (350)	3.47/64 (95)	1.27/32 (47)	15/64 (6)	1.27/64 (36)	1.3/16 (30)
302377	LLI-75	(0 - 75) 0-165000	100 (50)	110.0 (50.0)	22.2/64 (560)	7.23/64 (187)	13.50/64 (350)	3.47/64 (95)	3.1/32 (77)	15/64 (6)	1.27/64 (36)	1.3/16 (30)