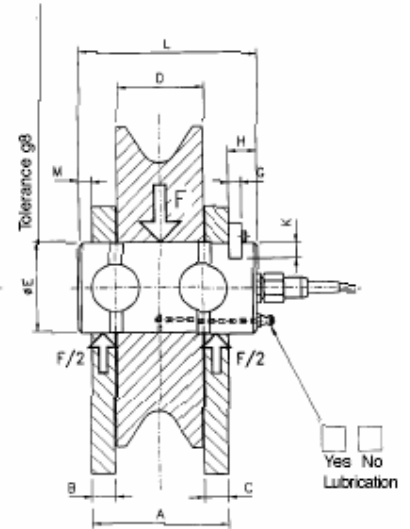
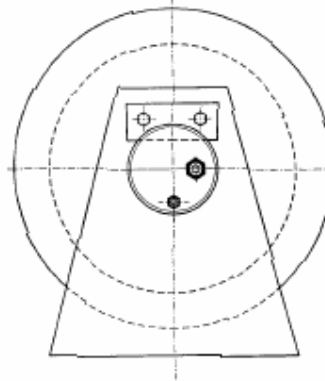


Load Pin Datasheet

- Can temporarily be overloaded by 100% without affecting the accuracy
- Manufactured to customer design
- Can be manufactured from diameter 20mm and upwards
- Pressure tight conformed to IP 67 according IEC 529
- Temperature range: -20 C to +70 C



Design dimensions when ordering a PIAB SLC Load Pin. (To be filled in by the Customer)

A	B	C	D	E	F	G	H	K	L	M

Force F = metric ton. F = Force to the Load Pin when crane is loaded to Safe Working Load (SWL).

PIAB AMPLIFIER LCA

