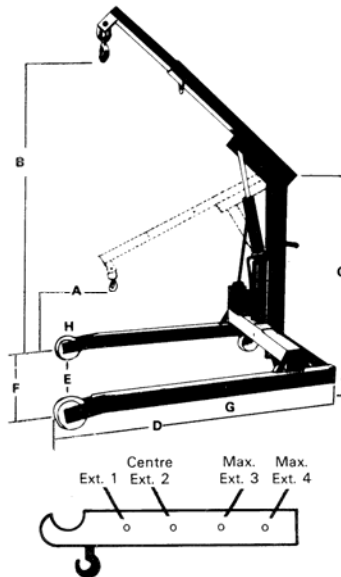


Heavy Duty Floor Cranes Datasheet

Range 1 tonne to 3 tonne



HEAVY DUTY CRANE SPECIFICATION

Model No.	1 tonne FC-1000	1½ tonne FC-1500	2 tonne FC-2000	2½ tonne FC-2500	3 tonne FC-3000
Capacity	1000 Kg	1500 Kg	2000 Kg	2500 Kg	3000 Kg
Minimum Extension (1)	925 mm	950 mm	1220 mm	1300 mm	1340 mm
Capacity	750 Kg	1250 Kg	1750 Kg	2000 Kg	2000 Kg
Centre Extension (2)	1145 mm	1090 mm	1360 mm	1490 mm	1520 mm
Capacity	500 Kg	1000 Kg	1000 Kg	1750 Kg	1500 Kg
Maximum Extension (3)	1330 mm	1240 mm	1500 mm	1700 mm	1700 mm
Capacity	—	—	—	1250 Kg	1000 Kg
Maximum Extension (4)	—	—	—	1900 mm	1840 mm
Minim Height Hook to Ground (A)	525 mm	700 mm	950 mm	680 mm	930 mm
Maximum Height Hook to Ground (B)	2295 mm	2320 mm	2855 mm	2950 mm	2750 mm
Column Height	1690 mm	1680 mm	1850 mm	2230 mm	1750 mm
Overall Base Length (D)	1555 mm	1560 mm	1710 mm	2070 mm	1785 mm
Maximum Width Between Legs (E)	780 mm	770 mm	835 mm	1100 mm	1090 mm
Maximum Overall Width (F)	950 mm	940 mm	1040 mm	1310 mm	1280 mm
Height to Top of Legs (G)	150 mm	160 mm	200 mm	240 mm	220 mm
Diameter of Wheel	125 mm	125 mm	150 mm	200 mm	150 mm
Knock Down Height	630 mm	630 mm	710 mm	750 mm	730 mm
Weight	150 Kg	160 Kg	190 Kg	300 Kg	350 Kg