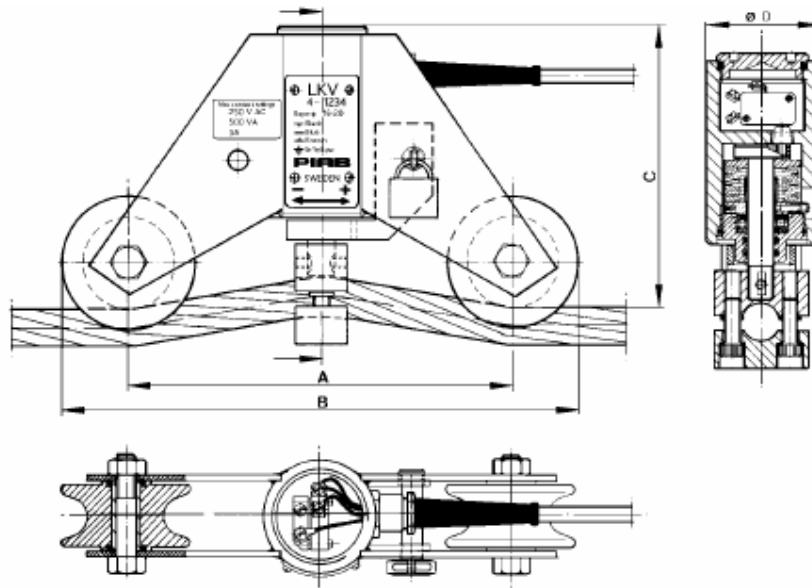


LKV Overload Guard Datasheet

The PIAB LKV is intended for use as an overload guard or as a slack line switch in lifting equipment and is made for forces up to 35000 lb. (16000 kg) in single line part and for max 1.47/64" (44 mm) line diameter.



The drawing is for an LKV 1-4. The other types are of a slightly different design.

TYPE	MAX SWITCH VALUE IN LB. AND (KG)	FOR WIRE DIMENSION Ø IN INCHES AND (MM)	DEAD WEIGHT IN LB. AND (KG)	DIMENSIONS IN INCHES AND (MM)			
				A	B	C	D
LKV 1	2200 (1000)	3/16 - 5/16 (5-8)	10 (5)	7.7/8 (200)	10.35/64 (268)	5.9/16 (142)	2.23/64 (60)
LKV 2	4400 (2000)	5/16 - 15/32 (8-12)					
LKV 4	8800 (4000)	15/32 - 5/8 (12-16)					
LKV 8	17600 (8000)	5/8 - 25/32 (16-20)	26 (12)	11.13/16 (300)	15.7/8 (403)	8.3/16 (208)	3.25/64 (86)
LKV 12	26000 (12000)	25/32 - 15/16 (20-24)					
		15/16 - 1.7/64 (24-28)					
LKV 16	35000 (16000)	1.7/64 - 1.1/4 (28-32)	48 (22)	18.57/64 (480)	23.5/8 (600)	8.15/32 (215)	5.5/16 (135)
		1.1/4 - 1.27/64 (32-36)					
		1.27/64-1.32/64 (36-40)					
		1.32/64-1.42/64 (40-44)					

LKV used as a slack line switch.

TYPE	MAX SWITCH VALUE IN LB. AND (KG)	FOR WIRE DIMENSION Ø IN INCHES AND (MM)	DEAD WEIGHT IN LB. AND (KG)	DIMENSIONS IN INCHES AND (MM)			
				A	B	C	D
LKV 01	2200 (1000)			See LKV 1-4			
LKV 08	4400 (2000)			See LKV 8-12			