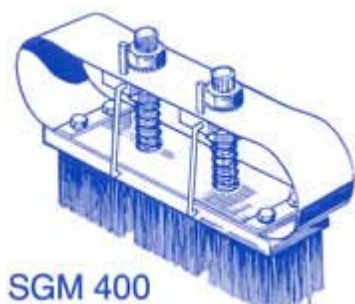


Rail Sweeps Datasheet



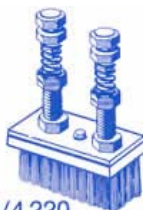
SGM 400

The Advantages

- Its design enables an easy and quick set up
- The rails are one of the electrical continuities, with high conductivity
- The cost of setting it up is much cheaper than systems like trolleys, garlands..
- The constant cleaning of the rails increases the rollers life



PM/A.120



GM/4.220



PM/CHA.80



PM/R.40



PM/B.100



GM/2.240



SUPM.40

Crane care have linked with French manufacture Devirieux to launch a range of industrial brushes

There are 8 standard models in the range made of brass, steel, stainless steel and screws in galvanised bichromated steel

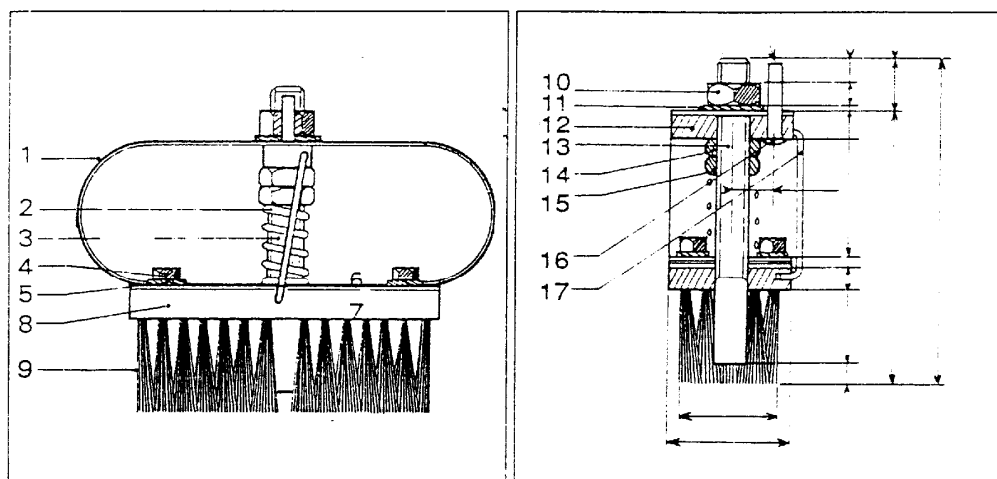
In addition special models or prototype from plans and or sketches available.

Please ask for assistance with earthing problems.

Crane brushes ensure the safe operation of lifting and handling equipment such as overhead travelling cranes, light overhead cranes, gantries, monorails etc.

The Advantages

- Its design enables an easy and quick set up
- The rails are one of the electrical continuities, with high conductivity
- The cost of setting it up is much cheaper than systems like trolleys, garlands..
- The constant of cleaning of the rails increases the rollers life



REF	DESCRIPTION	MATERIAL
1	Flat spring "connection/stability"	Hammer hardened brass band
2	Spiral spring	Stainless steel wire
3	Central screw-bolt (slipper guide)	Zinc bichromated steel
4	Assembling screw	Zinc bichromated steel
5	Assembling wing-washer	Zinc bichromated steel
6	Small tightening plate	Brass
7	Lid (or cover-plate)	Brass
8	Sole	Brass
9	Brushing wires	Hard stainless steel

REF	DESCRIPTION	MATERIAL
10	Fixing nut	Zinc bichromated steel
11	Fixing wing washer	Zinc bichromated steel
12	Strip-rest (flat-spring holder)	Brass
13	Resilient gudgeon (elastic pin)	Polished steel
14	Pressure lock-nut	Zinc bichromated steel
15	Pressure nut	Zinc bichromated steel
16	Grooved nail (grooved pin)	Brass
17	Stabilizing pin	Steel

Technical characteristics

Refs	SPACE			Brushing Wires (mm)			Current Strength	Weight (kg)	
	length	width	height	length	width	height		net	packed
SGM400	260	60	155	170	50	50	400A	2.450	3.000
FCB001	225	60	155	150	50	50	240A	1.650	1.900
FCB002	135	40	105	93	30	30	120A	0.570	0.750
PM/CHA80	80	40	105	60	30	30	80A	0.460	0.560
FCB003	45	30	135	37	24	30	40A	0.260	0.320
PM/R40	dia. 42		135	dia. 33		32	40A	0.260	0.320
FCB004	100	40	135	93	30	30	100A	0.650	0.700
FCB005	170	60	185	155	50	50	220A	2.200	2.300